



MODEL: YGA28R385SA

直流减速电机
DC GEAR MOTOR

圆睿鑫
YUANRUIXIN

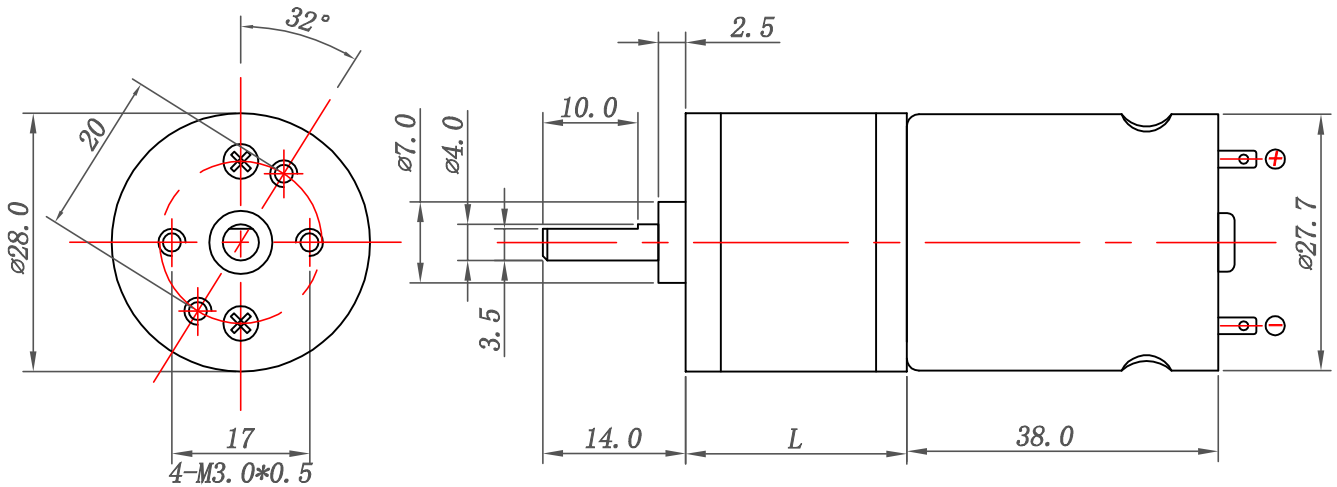
典型应用 Typical Applications:

- ※智能模型 Intelligent model
- ※家用电器 Household appliances
- ※绕线机 Winding machine



齿轮箱长度 L Length of Gear	齿轮比 Gear ratio			
20	31	46		
23	74	92	154	
25	175	225	370	
27	412	530	650	
32	970			

外形尺寸图 Shape dimension figure



Unit: MM

电机参考值 The motor reference

型号 MODEL	使用电压 VOLTAGE V	空载 NO LOAD		最大效率点 AT MAXIMUM EFFICIENCY				堵转 STALL			
		转速 SPEED	电流 CURRENT	转速 SPEED	电流 CURRENT	转矩 TORQUE	功率 OUTPUT	转矩 TORQUE	电流 CURRENT		
		r/min	A	r/min	A	mN.m	kg.cm	W	mN.m	kg.cm	A
YGA28R385SA-412	DC12.0V	20	0.04	13	0.42	970.9	9.9	1.42	2628.3	26.8	1.8
YGA28R310TA-74	DC6.0V	70	0.04	32	0.32	65.7	0.67	0.25	142.2	1.45	0.78
YGA28R385SA-85	DC24.0V	160	0.13	89	1.02	529.2	5.4	5.0	1179.7	12.0	3.4

备注 Note:

*如果以上马达规格参数包括形状尺寸未能符合要求，我们可以根据客户需要研发定做。

*In case the above specification include the shape and size of the motor can't meet requirements, we can develop and make custom one according to customer's requirement.